

# TE12100

12V 100Ah

Smart Lithium iron phosphate battery



## Littech 12V 100Ah SMART LITHIUM IRON PHOSPHATE BATTERY

The Littech Smart Lithium Iron Phosphate Battery enables auto-balance among parallel and series strings up directly, providing a more flexible usage application. The integrated smart battery management system (BMS) not only protects the battery from various abnormal conditions but also monitors and manages the charging/discharging process. Integrate into High/low-temperature protection, ABS reinforce holder, resist vibration design, especially special for bad road conditions and complex usage scenarios, Group 24 size only 11.5kg weight, long cycle life.

### KEY FEATURES

#### Auto-Balance

Cell balance design inside the Smart BMS, optional active balance

#### Ultra-Safety

The Battery management system(BMS) provides comprehensive protection to the battery and manages the charging/discharging process wisely

#### 4s4p Directly Strings up

The Battery management system(BMS) provides 4 series and 4 parallel hook up at the same time

#### Resist Vibration Design

ABS Reinforce Holder, resist vibration design, especially design for those bad road condition

#### Lighter and Smaller

260\*168\*209mm dimension, 11.5kg only, easy for lead-acid replacement, maintenance free.

## ELECTRICAL SPECIFICATIONS

Nominal Voltage	12.8V
Nominal Capacity	100Ah
Capacity @20A	300min
Energy	1280Wh
Resistance	≤30mQ @ 50% SOC
Efficiency	99%
Self Discharge	≤3.5% Per Month
Maximum Modules in Series or Parallel	4

## MECHANICAL SPECIFICATIONS

Dimensions[L*W*H]	260*168*209mm
Weight	10KG
Terminal Type	M8/M6
Case Material	ABS
Enclosure Protection	IP55
Cell Type	Prismatic
Chemistry	LiFePo4
Configuration	4S1P

## DISCHARGE SPECIFICATIONS

Maximum Continuous Discharge Current	100A
Peak Discharge Current	260A≤5s
BMS Discharge Current Cut-off	300A±50A[2.2±1ms]
Recommend Low Voltage Disconnect	9.0V
BMS Discharge Voltage Cut-off	8.8V[2.2±0.08 vpc][100±50ms]
Reconnect Voltage	10V[2.5±0.1vpc]
Short Circuit Protection	200-400μs

## CHARGE SPECIFICATIONS

Remomend Charge Current	5A-50A
Maximum Charge Current	100A
Recommend Charge Voltage	14.2-14.6V
BMS Charge Voltage Cut-off	15.0V[3.75±0.1V]
Reconnect Voltage	14.6V[3.65±0.1V]
Balancing Voltage	14.0V[3.5±0.025vpc]
Balancing Current	35±5mA

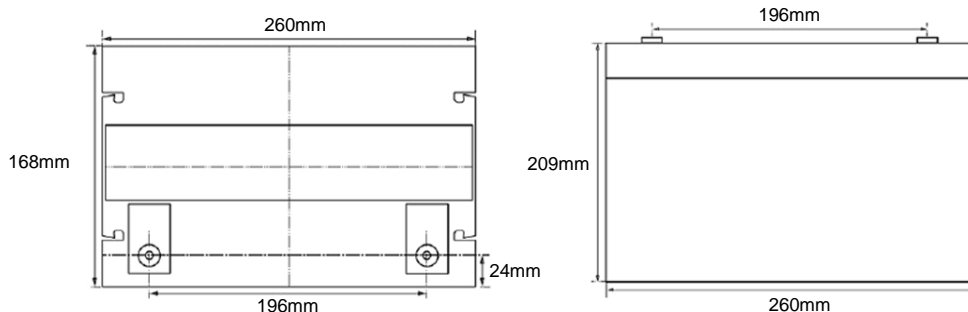
## TEMPERATURE SPECIFICATIONS

Discharge Temperature	-4 to 140°F[-20 to 60°C]
Charge Temperature	32 to 113°F[0 to 45°C]
Storage Temperature	23 to 95°F[-5 to 35°C]
BMS High Temperature Cut-off Discharge	149F[65°C][Customized]
Reconnect Temperature	122F[50°C][Customized]
Low Temperature Cut-off Charge	32°F[0°C][Customized]
High Temperature Cut-off Charge	129.2°F[54°C][Customized]
Discharge Temperature	-4 to 140°F[-20 to 60°C]

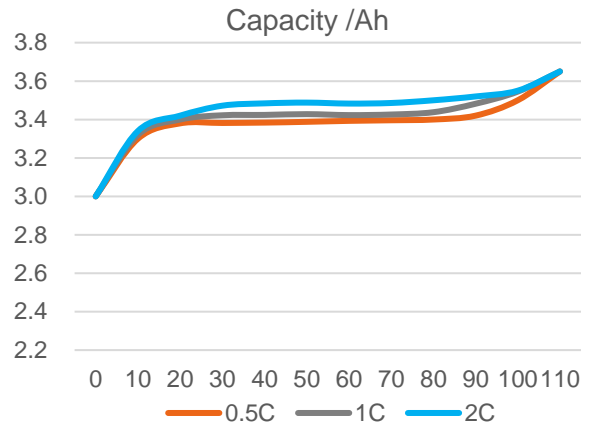
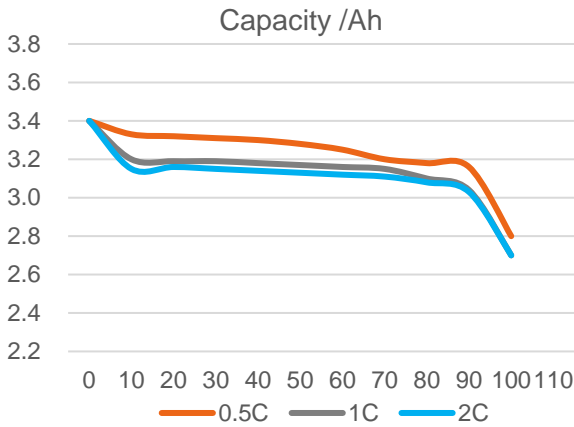
## COMPLIANCE SPECIFICATIONS

Certifications	CE[Battery],UN38.3[Battery] IEC62133[cell]
Shipping Classification	UN3480,CLASs9

## DIMENSIONAL SPECIFICATIONS

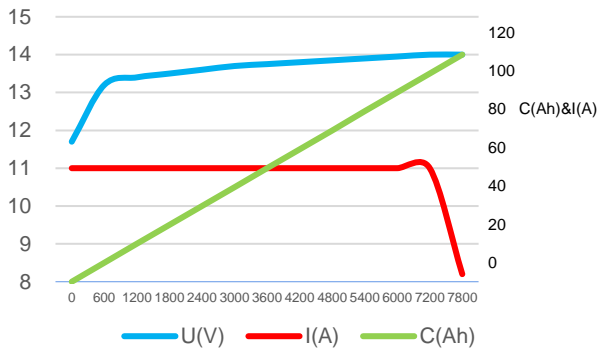


**Charge/Discharge Capacity At Different Rates for cell [ Room Temperatue]**

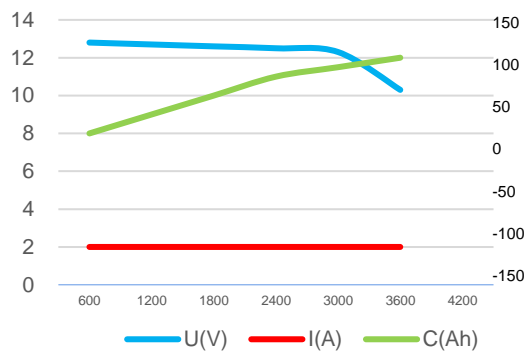


**Charge/Discharge Capacity At Different Rates for Battery Pack [ Room Temperatue]**

0.5C Charge Voltage & Current & Capacity Curve



1.0C Discharge Voltage & Current & Capacity Curve



**PRODUCT DISPLAY**





Strive to be the preferred partner  
for the Global New Energy Industry

**Shenzhen Lithtech Energy Co.,LTD**

Web: [www.ltc-energy.com](http://www.ltc-energy.com)

Email: [info@lith-tec.com](mailto:info@lith-tec.com)

Tel: +(00) 86 0755-23300421